

Option #156-Interface II



Black Metal



Black Metal



Brushed Aluminum



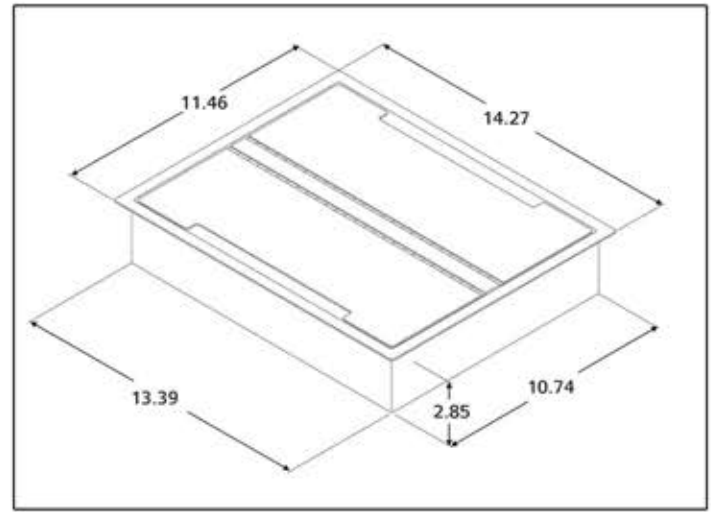
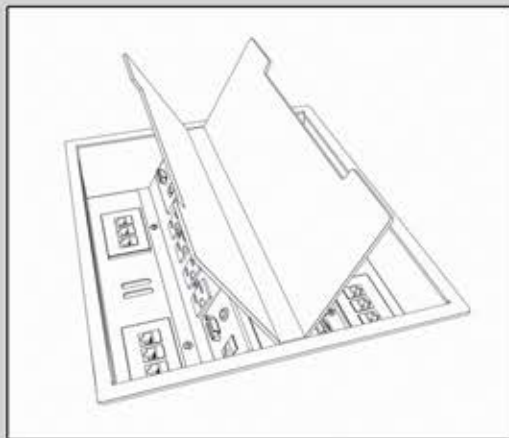
Silver Pearl Powder Coat



Brushed Stainless Steel



Matching Wood



Description.
Hinged door power, data, and voice
grommet. Metal unit with flip open
doors on hinges on both sides of unit.
Available in four different finishes.

Size is 14.27" W x 11.46" L x 2.85" D.
Made in the USA.

Corded units with metal lid are
UL listed and CSA approved.

Option #	Finish	Lid Type	Cord Type	Power	Data	Voice	HDMI	VGA	Mini Stereo
156-C	Black	Metal	144" w/plug	8	6	2	0	2	2
156-E	Black	Metal	144" w/plug	8	11	1	0	0	0
156-F	Black	Metal	144" w/plug	8	12	0	0	0	0
156-G	Black	Metal	144" w/plug	8	9	1	0	1	1
156-H	Black	Metal	144" w/plug	8	6	0	1	1	1
156-I	Black	Metal	144" w/plug	8	9	0	1	1	1
156-J	Black	Metal	144" w/plug	8	8	1	1	1	1
156-X	custom unit, see written proposal								

Standard items.
Eight power receptacles.
144" power cord with molded plug.

Optional items.
RJ11 Voice Cat3, RJ45 Data Cat6, 15 Pin VGA
Video, HDMI, BNC, USB for data, USB for charging,
RCA, Mini stereo, XLR, coaxial, S-Video, Twin AX,
hardwiring of power and longer power cords.
Available finishes are black textured metal, brushed
stainless steel, brushed aluminum, and silver pearl.

Unit is available hardwired with 144" metal flex whip.
Unit is available with matching wood doors. Unit with
hinged wood or glass door cannot be placed on a
table seam. Daisy chainable units are available.
Note that only up to two units can be daisy chained
on one run. Dual satin glass lids also available.

Please order by option number. If no option number is
specified factory will supply option #156-C.



1-866-425-6529
www.arnoldcontract.us