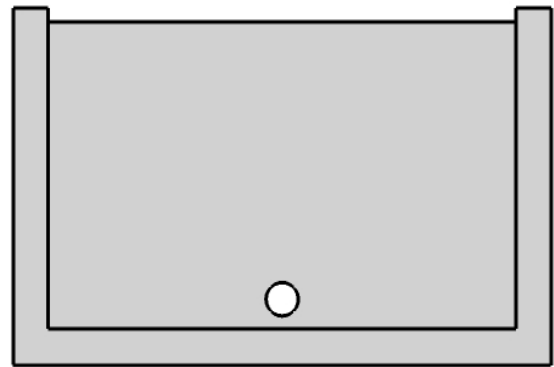
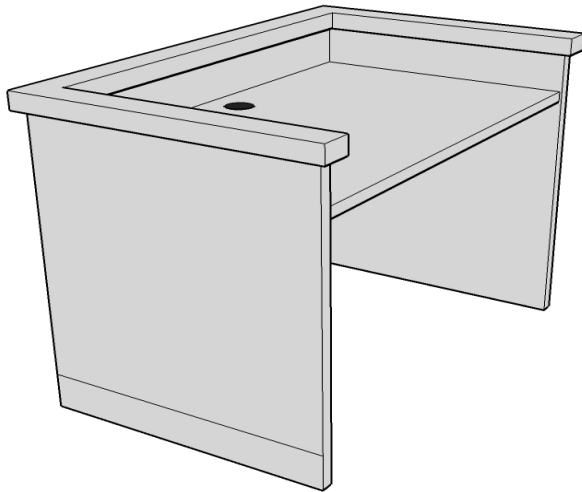


# Court Clerk or Reporter Stand



Custom sizes available. Please call factory for pricing.

Includes solid wood cap, wood chassis with wood reveal, 24" D wood or laminate worksurface with one grommet.

Overall height 36"

Back

Custom sizes available. Please call factory for pricing.

Front

MODEL NUMBER	SIZES WxDxH	SHIP WEIGHT	LIST PRICE	Optional 141 - Interact: Flip- top, power, data and voice receptacle unit
RJC_4230	42x30x36	300	7,170	2 data/voice jacks, 2 power jacks. Can be mounted into any horizontal surface. 8 5/8" w x 5 3/8" d x 3/4" h w/ 6' Cord/Plug Add \$1,665
RJC_4830	48x30x36	350	7,595	



## Detail Options

<p><b>Edge Details</b></p> <p>Transaction counter tops. 2" thick <b>Contemporary</b></p>	<p><b>Kent Detail</b></p> <p>Solid wood raised panels, solid wood plinthe toe kick, wood edge on counter. <b>Add 45% List.</b></p>	<p><b>Somerset Detail</b></p> <p>1" thick applied molding, 3" wide chair rail, fluted pilasters, solid wood plinthe toe kick, 2" solid wood edge on counter. <b>Add 15% List.</b></p>	<p><b>Traditional Detail</b></p> <p>2" thick ogee edge on counter, solid wood plinthe toe kick, picture frame applied molding. <b>Add 15% List.</b></p>
--	--	---	---

Add edge detail desired - FA, FC, FD, FL, or FM as suffix to style number.

**Bulletproofing:** O.F 300 U.L Listed Level III bulletproofing available **ADD \$2345 List per lin. ft.** *Bulletproof panel will be concealed inside the chassis.*

